



# Illustrated Parts List

## Model Series

# 117400

TYPE NUMBERS  
0036 Through 0628.

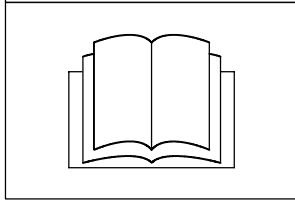
### TABLE OF CONTENTS

<b>Air Cleaner</b> .....	7
<b>Alternator</b> .....	6
<b>Blower Housing</b> .....	10
<b>Camshaft</b> .....	5
<b>Carburetor</b> .....	8
<b>Controls</b> .....	9
<b>Control Panel</b> .....	10
<b>Crankcase Cover</b> .....	4
<b>Crankshaft</b> .....	5
<b>Cylinder</b> .....	2
<b>Cylinder Head</b> .....	3
<b>Electric Starter</b> .....	15
<b>Exhaust System</b> .....	13
<b>Flywheel</b> .....	6
<b>Fuel Supply</b> .....	11
<b>Gasket Set - Engine</b> .....	2
<b>Gasket Set - Valve</b> .....	3
<b>Governor Spring</b> .....	9
<b>Ignition</b> .....	6
<b>Kit - Carburetor Overhaul</b> .....	8
<b>Oil Sensor Group</b> .....	14
<b>Operator's Manual</b> .....	2
<b>Piston, Rings, Connecting Rod</b> .....	2
<b>Rewind Starter</b> .....	12
<b>Valves</b> .....	3
<b>Warning Label</b> .....	2



COPYRIGHT by BRIGGS & STRATTON CORPORATION  
All rights reserved. No part of this material may be reproduced or transmitted in any form or by any means, electronic or mechanical, including photocopying, recording or by any information storage and retrieval system, without permission in writing from Briggs & Stratton Corporation.

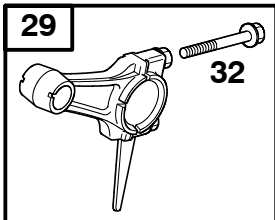
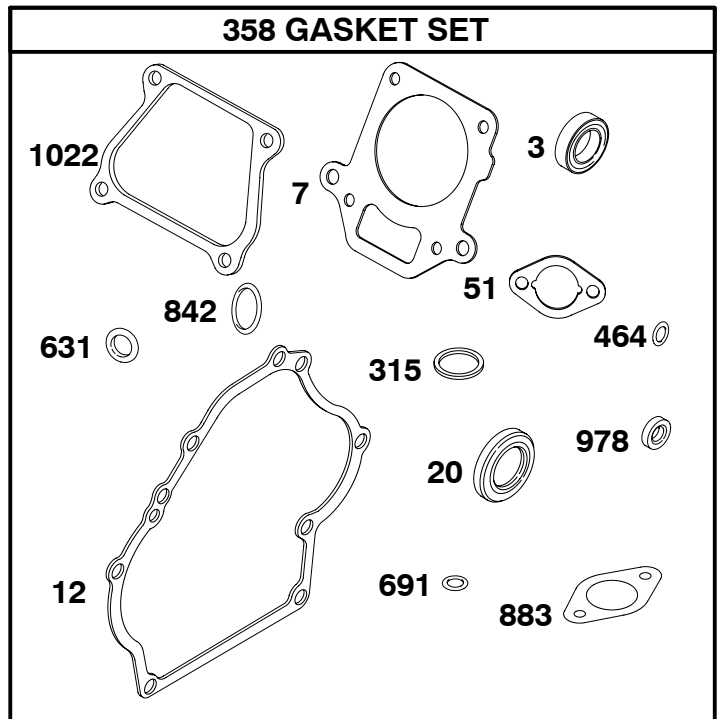
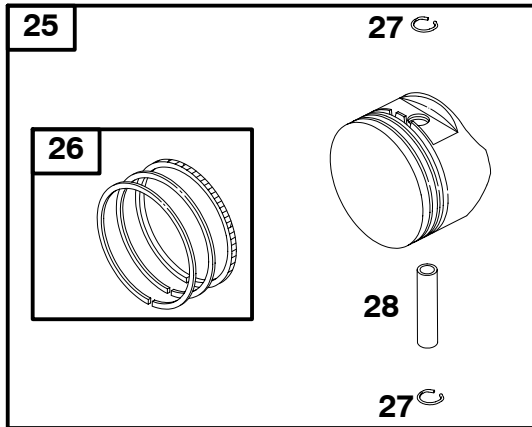
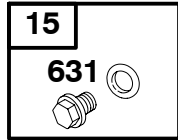
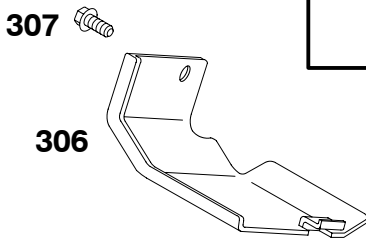
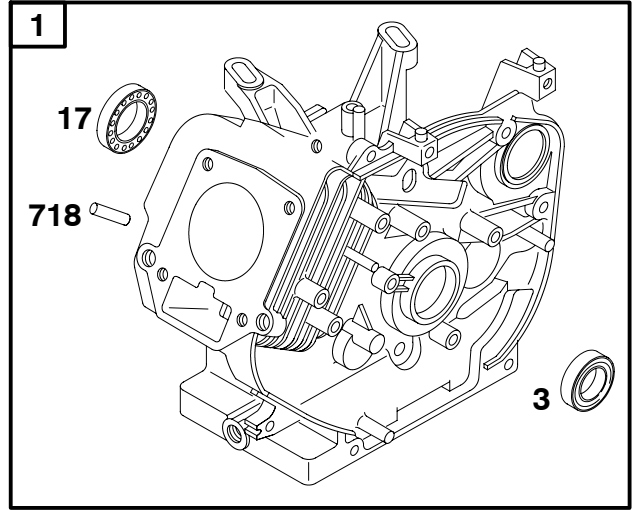
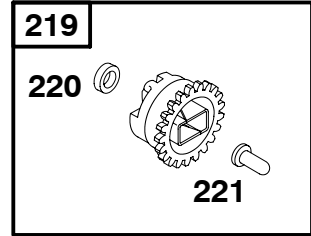
1058 OPERATOR'S MANUAL

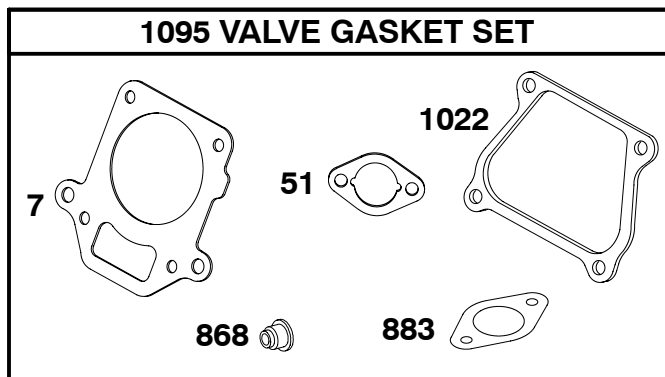
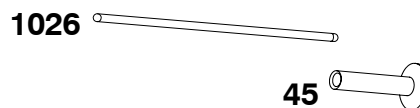
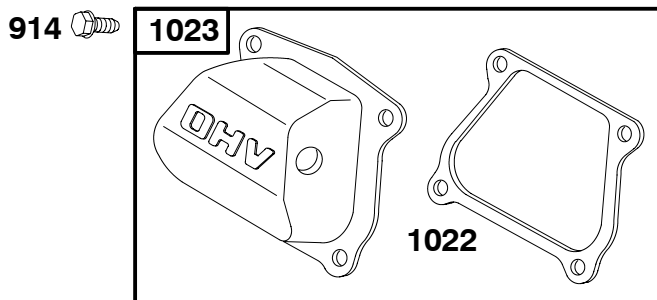
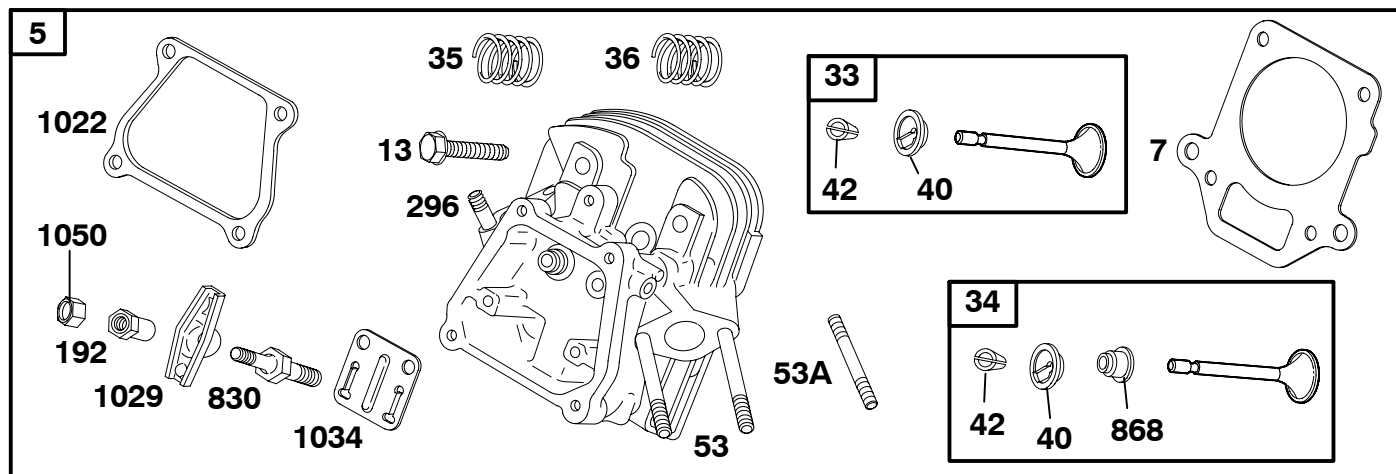


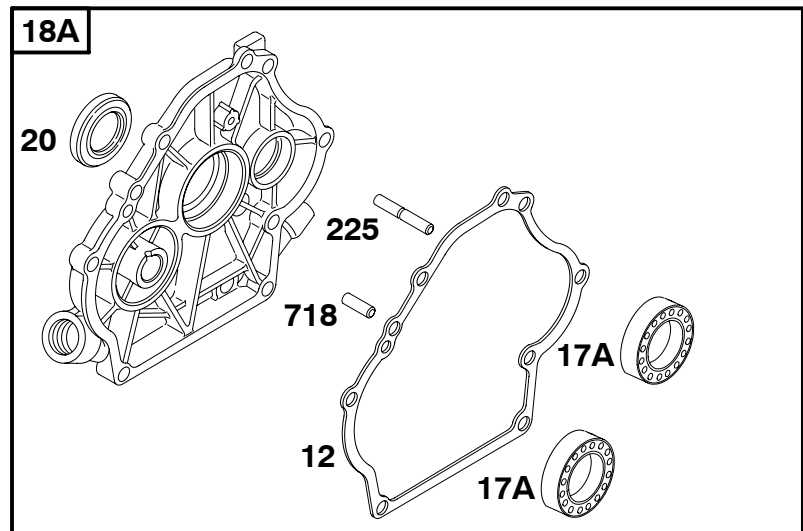
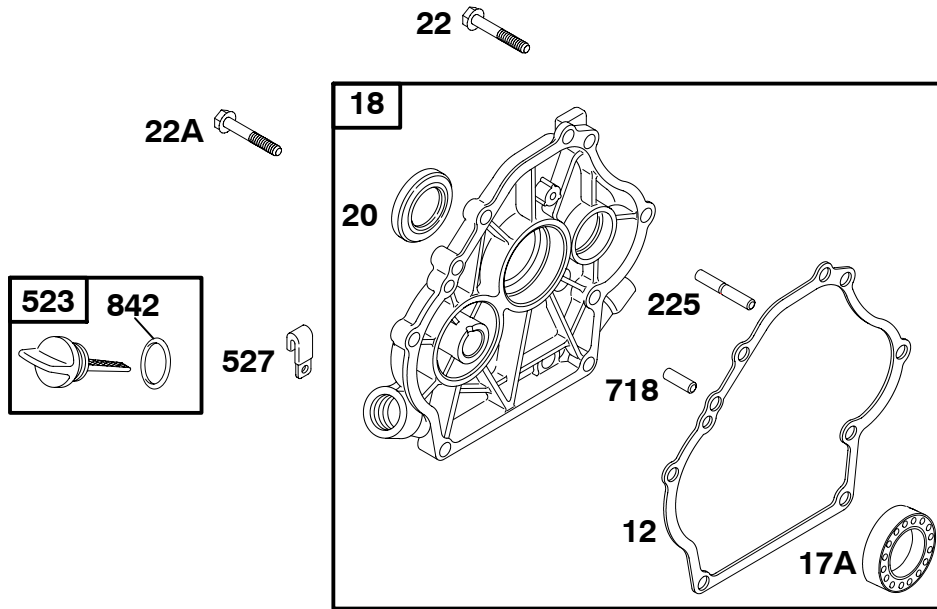
1319 WARNING LABEL

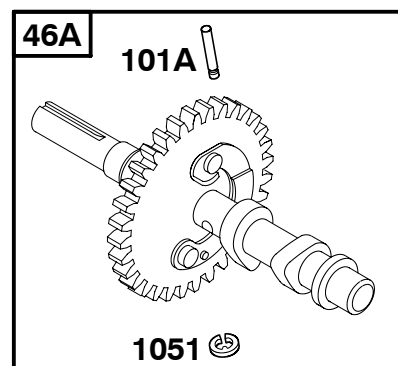
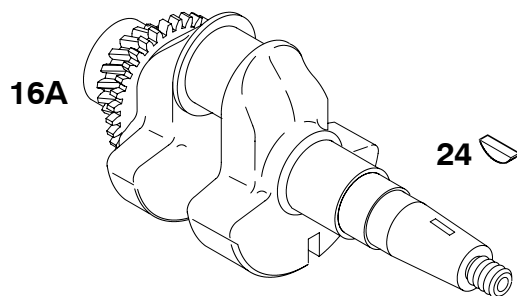
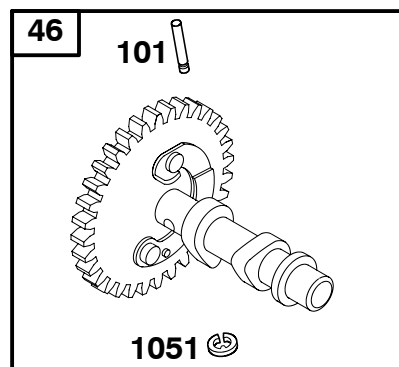
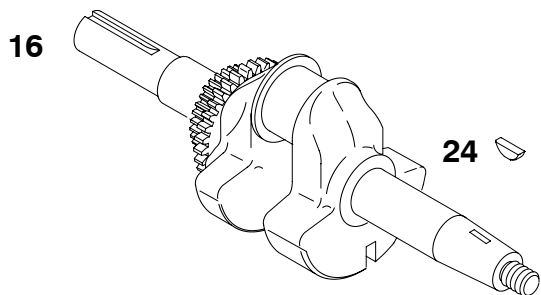
<b>WARNING</b>	
	Read and follow Operating Instructions before running engine.
	Gasoline is flammable. Allow engine to cool at least 2 minutes before refueling.
	Engines emit carbon monoxide, <b>DO NOT</b> run in enclosed area.
	Muffler area temperature may exceed 150°F. Do not touch hot parts.

**REQUIRED** when replacing parts with warning labels affixed.

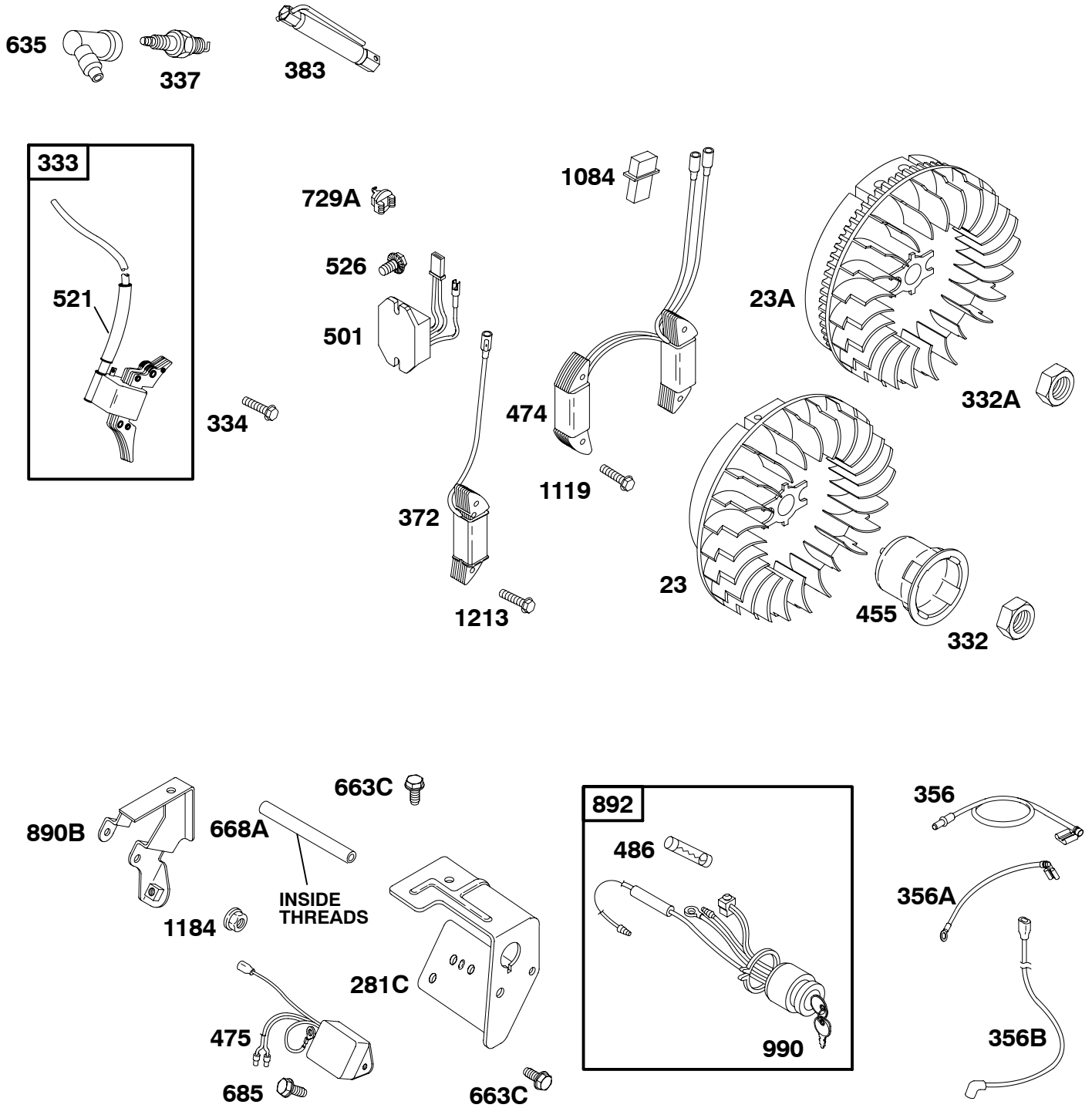




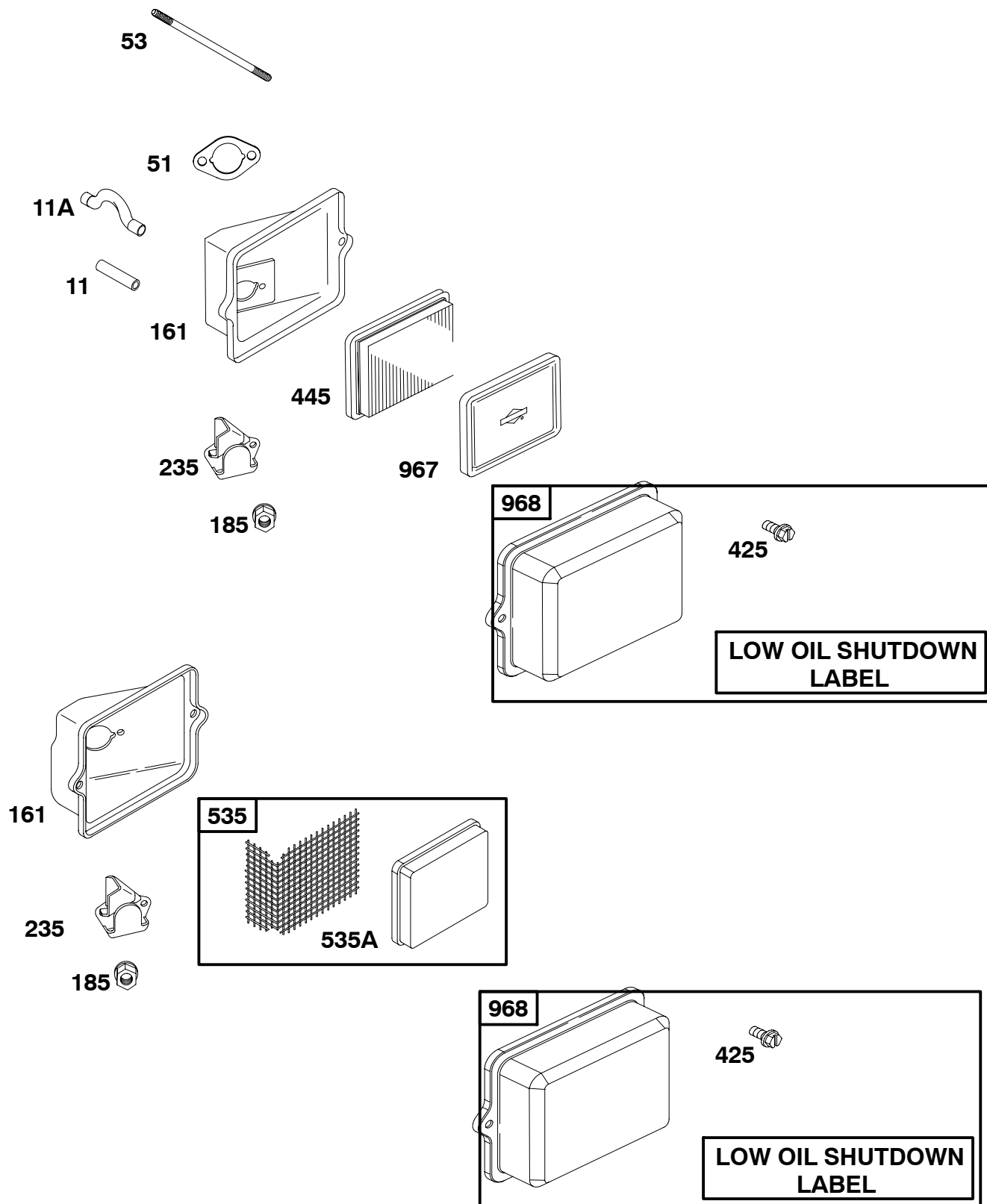




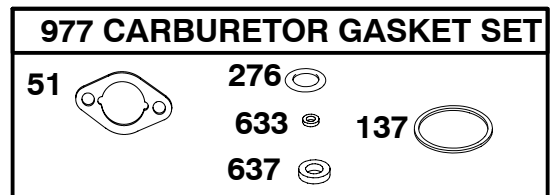
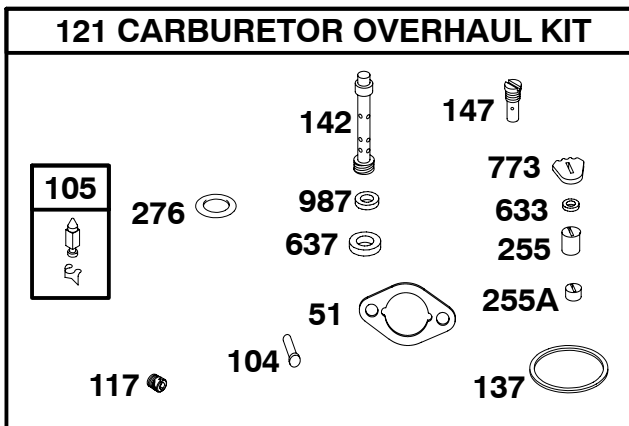
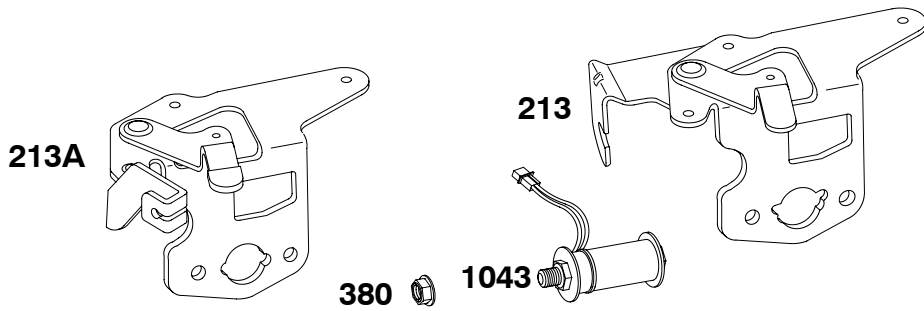
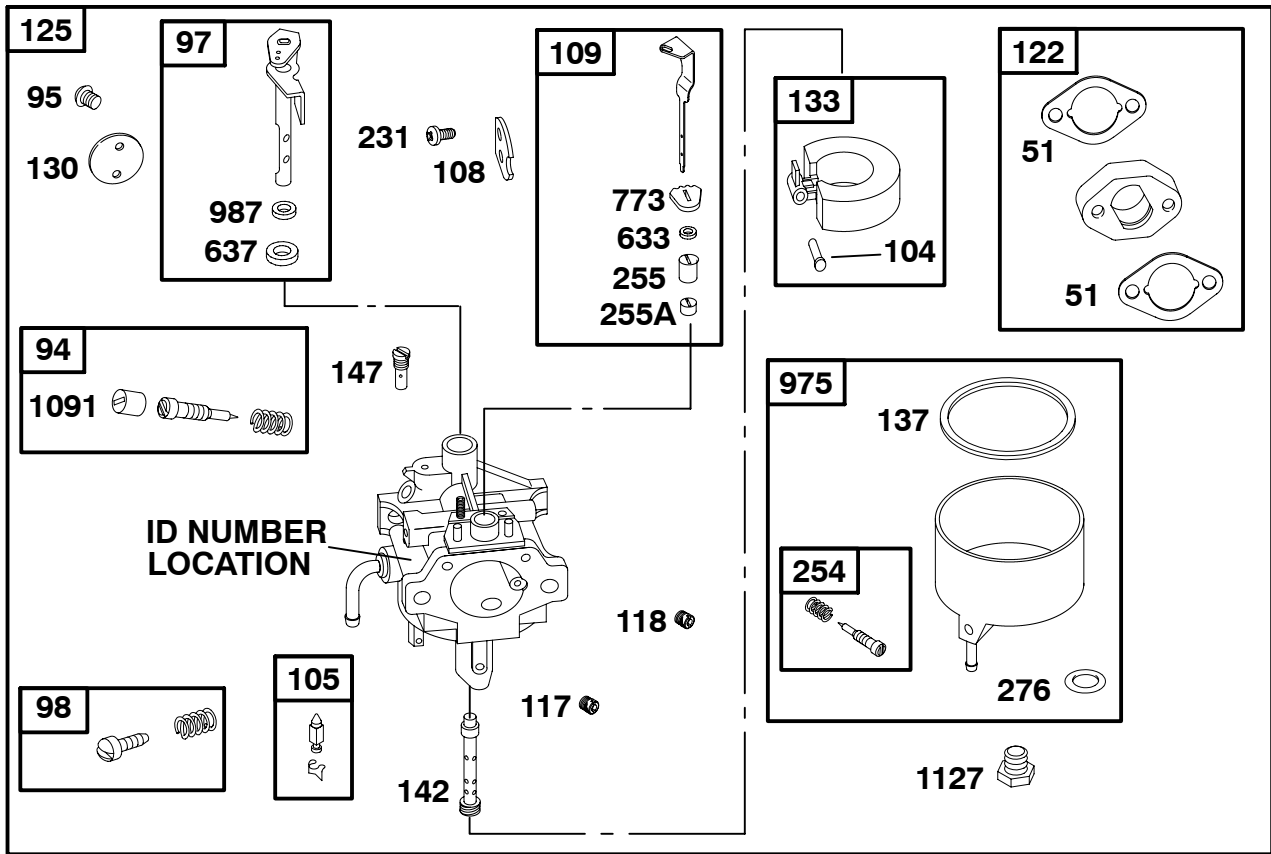
Illustrations cover a range of engines. Parts shown without corresponding text may not be used on your specific engine.



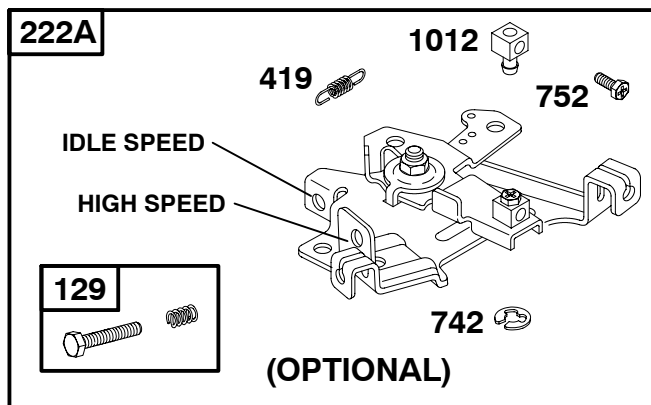
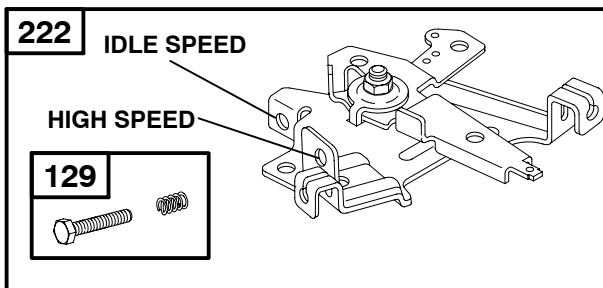
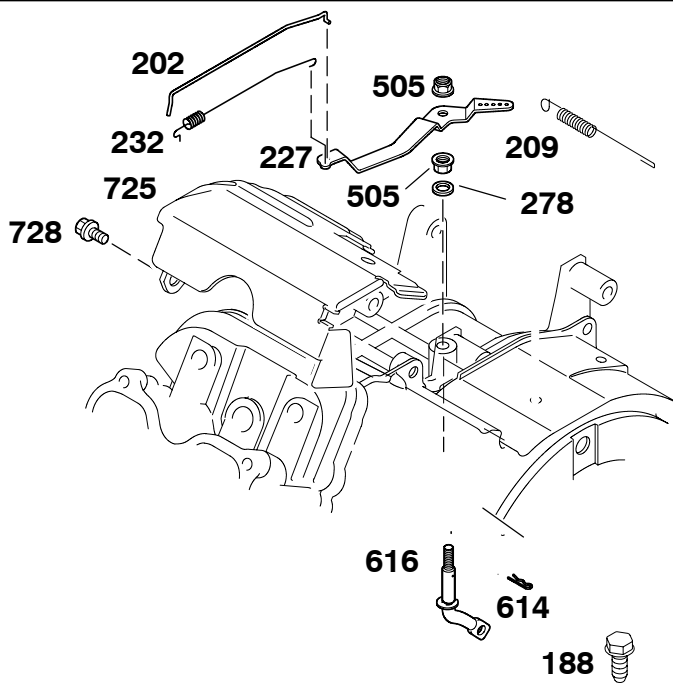
Illustrations cover a range of engines. Parts shown without corresponding text may not be used on your specific engine.  
 2096-6 Assemblies include all parts shown in frames. 06/12/2007

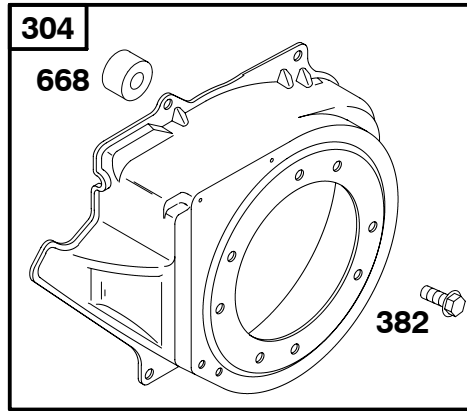


Illustrations cover a range of engines. Parts shown without corresponding text may not be used on your specific engine.  
 2096-7 Assemblies include all parts shown in frames. 06/12/2007

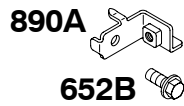






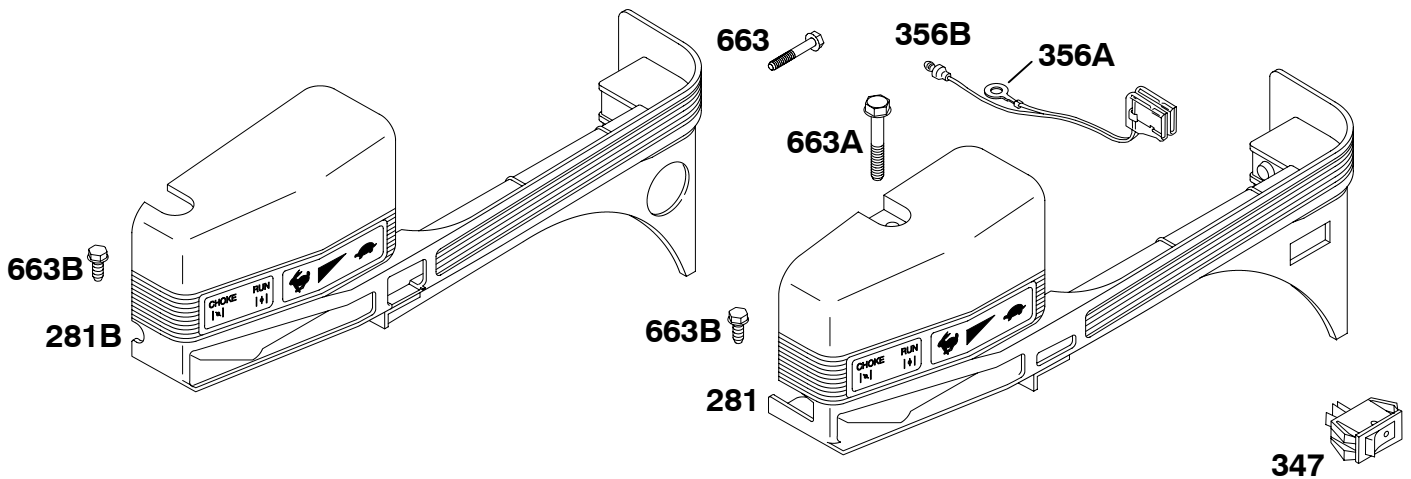


305

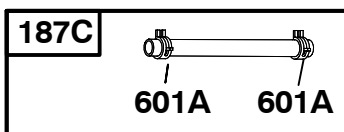
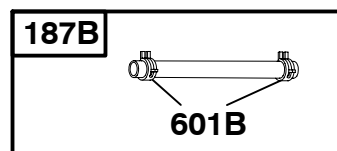
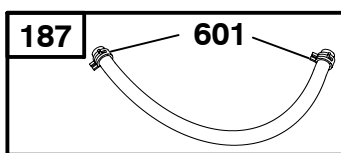
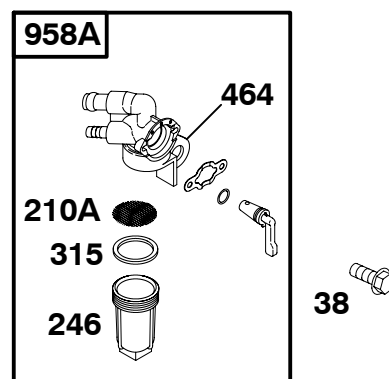
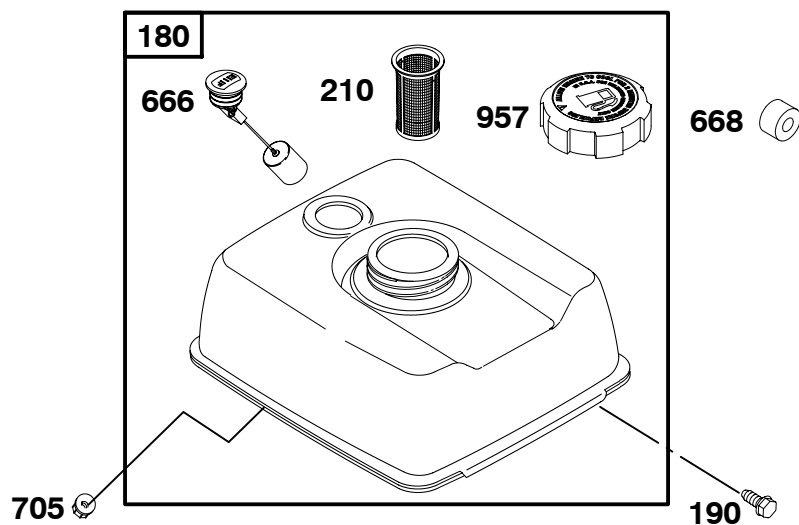
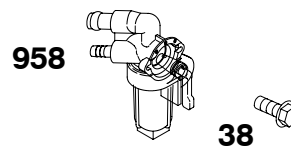


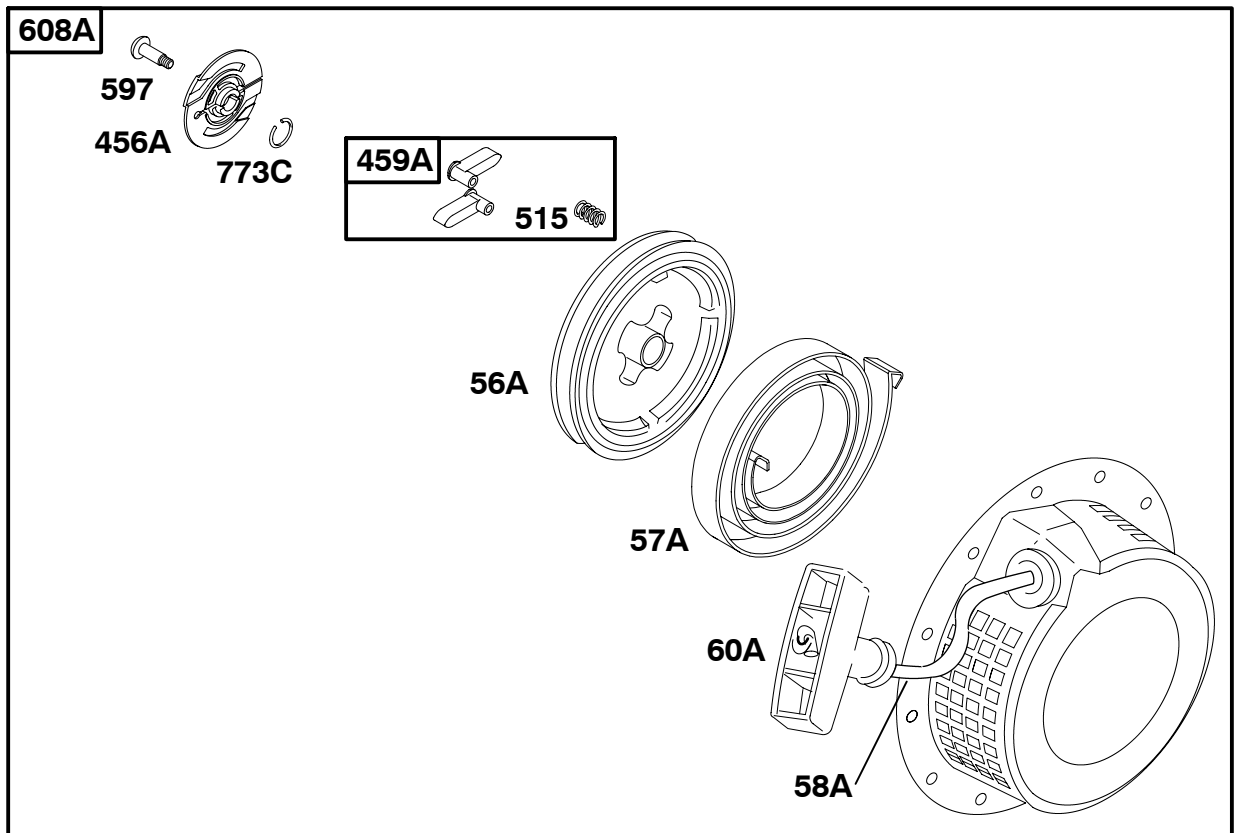
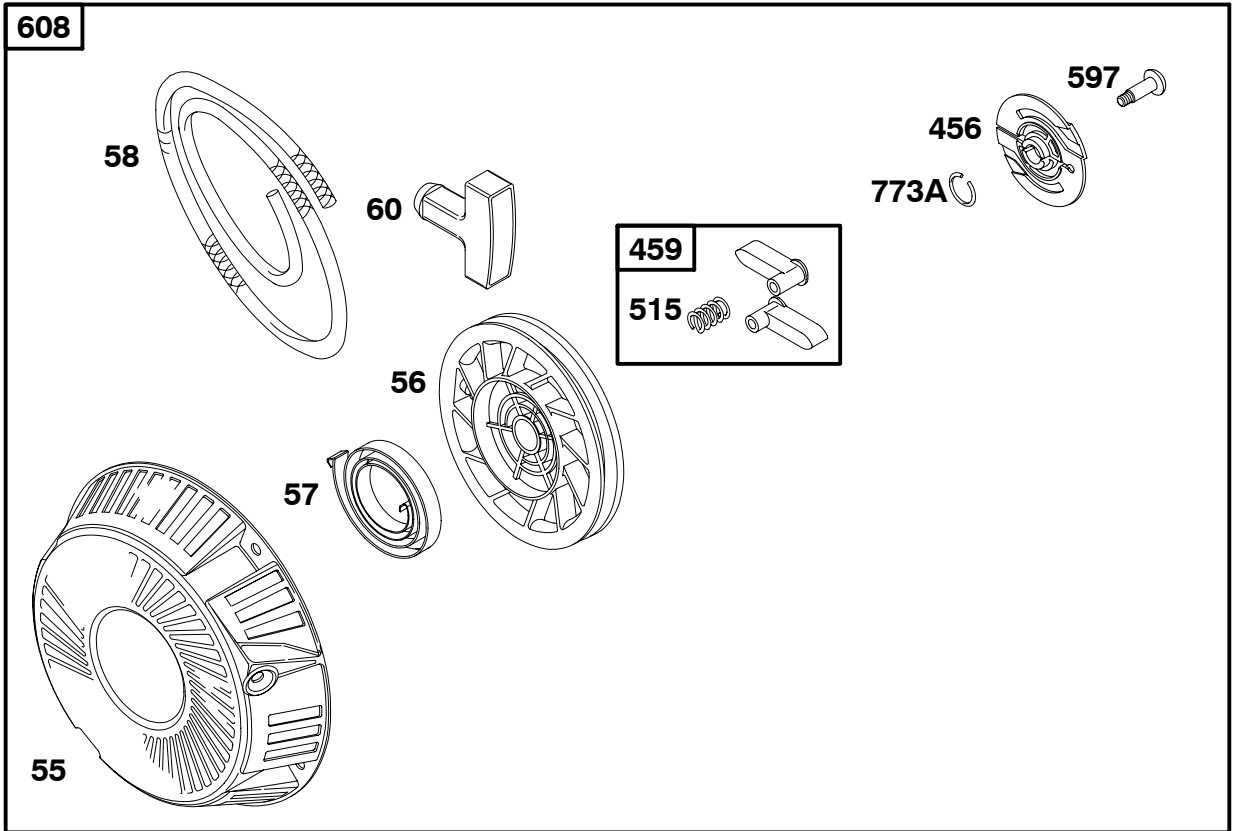
663B

281A

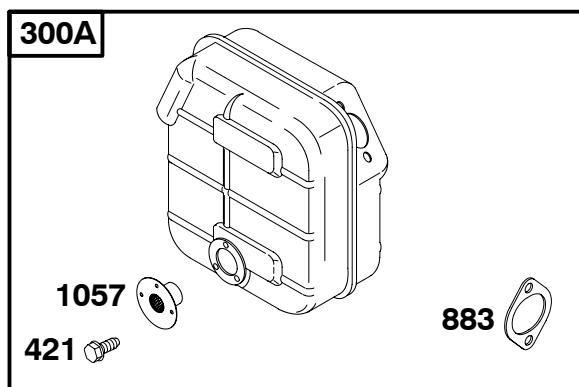
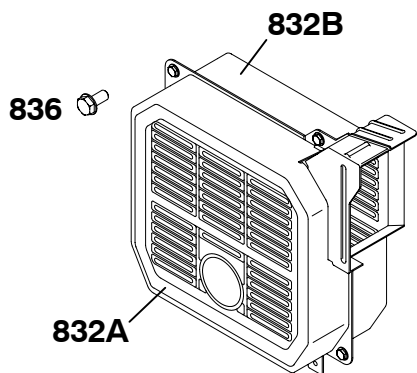
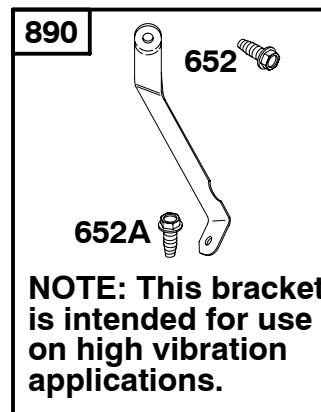
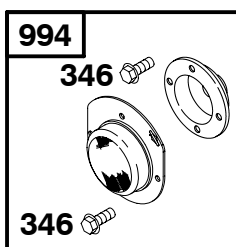
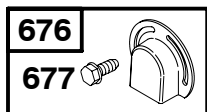
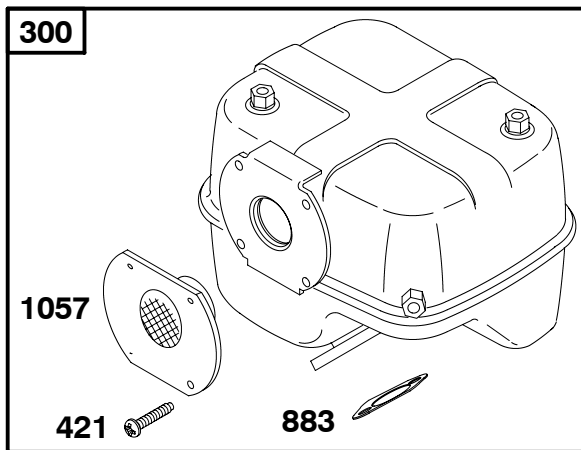
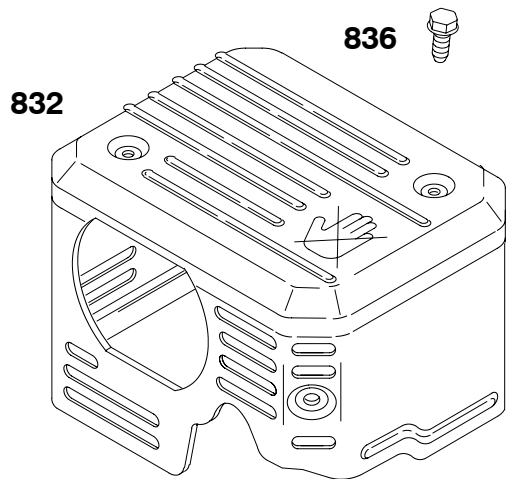


**1036 EMISSIONS LABEL**

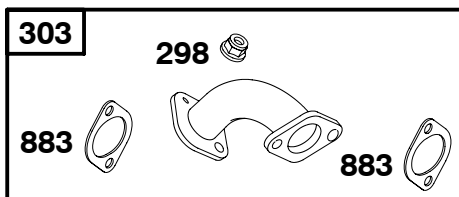


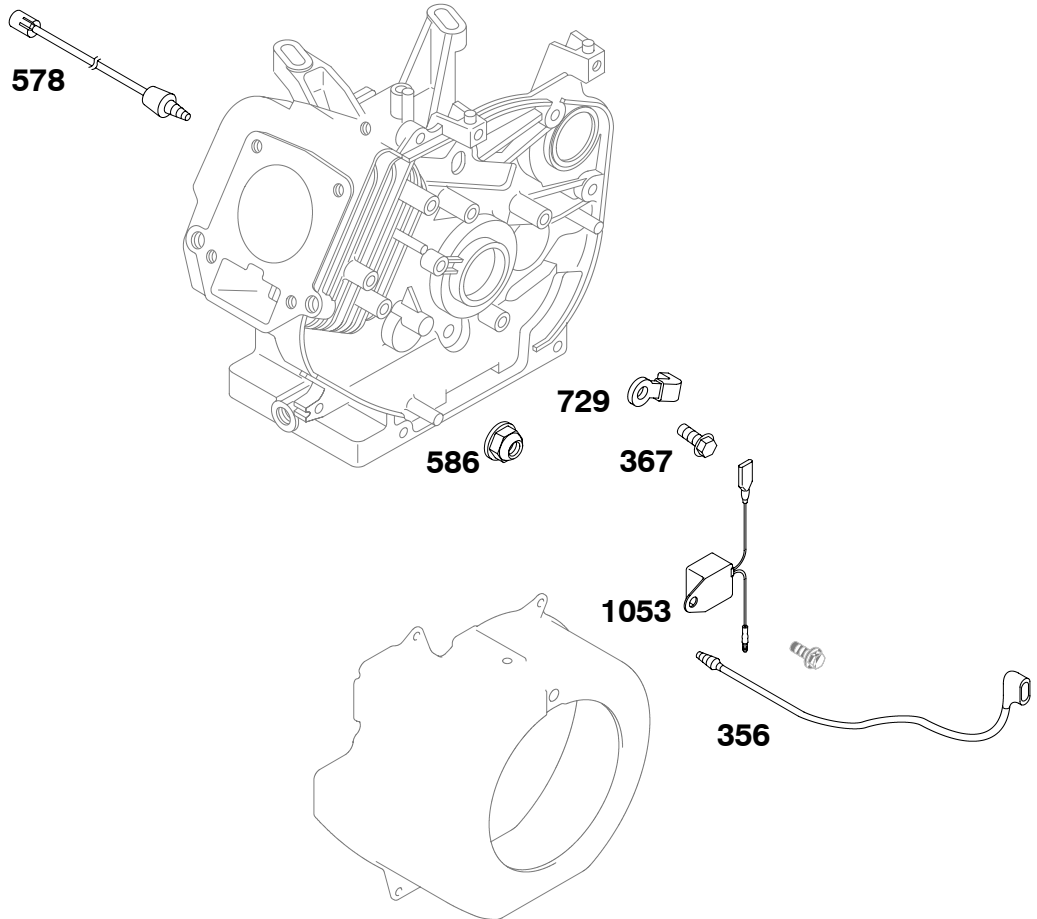
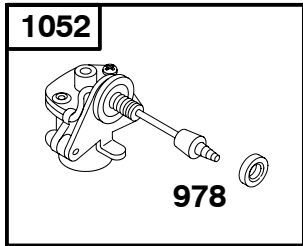


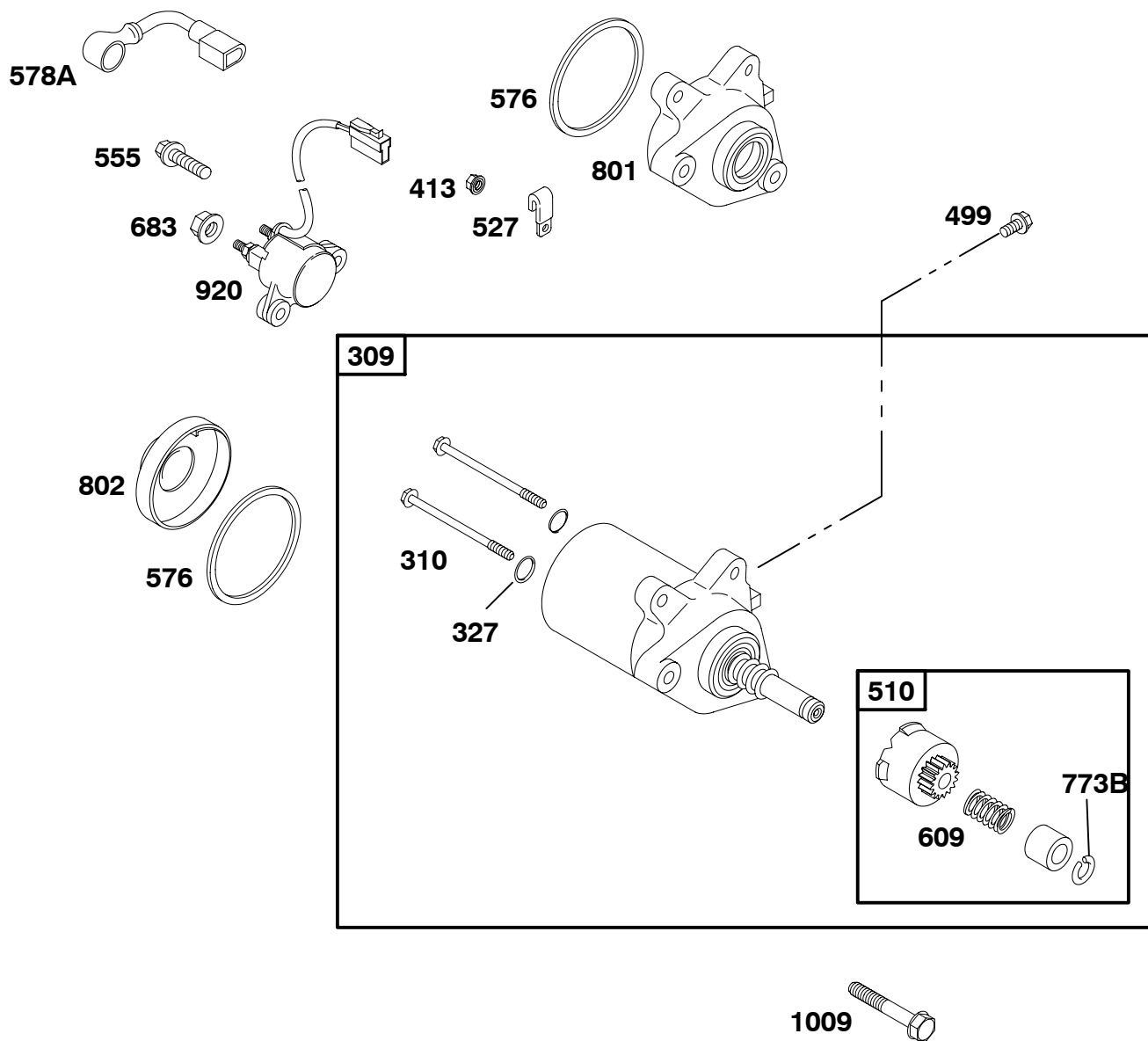
Illustrations cover a range of engines. Parts shown without corresponding text may not be used on your specific engine.  
 2096-12 Assemblies include all parts shown in frames.



**NOTE: This muffler is intended for replacement purposes only and is not to be used for retrofitting to engines with different exhaust systems.**







Illustrations cover a range of engines. Parts shown without corresponding text may not be used on your specific engine.  
 2096-15 Assemblies include all parts shown in frames. 06/12/2007

# 117400

REF. NO.	PART NO.	DESCRIPTION	REF. NO.	PART NO.	DESCRIPTION	REF. NO.	PART NO.	DESCRIPTION																											
1	715001	Cylinder Assembly Used on Type No(s). 0036, 0101, 0102, 0135, 0194, 0197, 0235, 0236, 0238, 0242, 0247, 0260, 0281, 0501, 0502, 0505, 0530, 0550, 0551, 0553, 0558, 0583, 0586, 0592, 0597, 0604, 0608, 0612, 0614, 0622, 0623, 0626. ----- Note ----- 715300 Cylinder Assembly Used on Type No(s). 0134, 0135, 0155, 0189, 0190, 0192, 0193, 0196, 0198, 0256, 0504, 0535, 0552, 0555, 0582, 0594, 0603, 0605, 0606, 0616. 715301 Cylinder Assembly Used on Type No(s). 0239, 0595, 0596, 0600, 0613, 0628.	15	715000	Plug-Oil Drain	16	715240	Crankshaft (SAE 3/4" Threaded) Used on Type No(s). 0036, 0134, 0155, 0190, 0193, 0196, 0236, 0239, 0242, 0247, 0256, 0505, 0530, 0555, 0558, 0594, 0605, 0606, 0608, 0622, 0626, 0628. ----- Note ----- 715238 Crankshaft (SAE 3/4" Threaded) Used on Type No(s). 0550, 0553, 0600. 715239 Crankshaft (SAE 5/8 Inch Thread) Used on Type No(s). 0235, 0239, 0551, 0596. 715241 Crankshaft (SAE Taper) Used on Type No(s). 0238, 0281, 0552, 0583, 0586, 0592, 0595, 0604, 0612, 0613, 0614, 0623. 715243 Crankshaft (SAE Keyway 7/8") Used on Type No(s). 0260. 715351 Crankshaft (JIS Keyway) Used on Type No(s). 0102, 0194, 0198, 0502, 0616. 715701 Crankshaft (SAE Step and Thread) Used on Type No(s). 0597.	18	715697	Cover-Crankcase ----- Note ----- 715698 Cover- Crankcase Used on Type No(s). 0102, 0194, 0198, 0502, 0616.	18A	715699	Cover-Crankcase Used on Type No(s). 0101, 0135, 0189, 0192, 0197, 0501, 0504, 0535, 0582.	20	710031	Seal-Oil (PTO Side)	22	710032	Screw (Crankcase Cover/Sump)(Crankca se Cover/Sump)	22A	710306	Screw (Crankcase Cover/Sump)(Crankca se Cover/Sump)	23	710043	Flywheel ----- Note ----- 710128 Flywheel Used on Type No(s). 0101, 0135, 0189, 0192, 0197, 0501, 0504, 0535, 0582. 710897 Flywheel Used on Type No(s). 0155, 0555. 715702 Flywheel Used on Type No(s). 0242. 715260 Flywheel Used on Type No(s). 0558.	23A	716146	Flywheel Used on Type No(s). 0239, 0595, 0596, 0600, 0613, 0628.	24	710037	Key-Flywheel	25	716138	Piston Assembly (Standard) ----- Note ----- 716139 Piston Assembly (0.50mm Oversize)
3	710000	Seal-Oil (Magneto Side)	16A	715044	Crankshaft (2:1 Gear Reduction) Used on Type No(s). 0101, 0135, 0189, 0192, 0197, 0501, 0504, 0535, 0582.																														
5	715004	Head-Cylinder	17	710003	Bearing-Ball																														
7	710021	Gasket-Cylinder Head	17A	710594	Bearing-Ball (Quantity 2)																														
11	710115	Tube-Breather																																	
11A	710450	Tube-Breather Used on Type No(s). 0281.																																	
12	710036	Gasket-Crankcase																																	
13	710020	Screw (Cylinder Head)																																	

★ Included in Engine Gasket Set-Ref. No.358.

● Included in Carburetor Overhaul Kit-Ref. No. 121.

◆ Included in Carburetor Gasket Set-Ref. No. 977.

△ Included in Valve Gasket Set-Ref. No 1095.

**Illustrations cover a range of engines. Parts shown without corresponding text may not be used on your specific engine.**



REF. NO.	PART NO.	DESCRIPTION	REF. NO.	PART NO.	DESCRIPTION	REF. NO.	PART NO.	DESCRIPTION
26	715016	Ring Set (Standard) ----- <b>Note</b> ----- 715018 Ring Set (0.50mm Oversize)	56	710274	Pulley-Starter	121	716143	Kit-Carburetor Overhaul
27	710040	Lock-Piston Pin	56A	711853	Pulley-Starter	122	715034	Spacer-Carburetor
28	715455	Pin-Piston (Standard)	57	710270	Spring-Rewind Starter	125	715520	Carburetor ----- <b>Note</b> ----- 715656 Carburetor (Carburetor Identification Number GE18BA) Used on Type No(s). 0281.
29	715011	Rod-Connecting (Standard) ----- <b>Note</b> ----- 715012 Rod- Connecting (0.50MM Undersize)	57A	711855	Spring-Rewind Starter	129	715024	Screw/Spring-Govern or Speed ----- <b>Note</b> ----- 715170 Screw/Spring-Govern or Speed Used on Type No(s). 0135, 0238, 0281, 0501, 0582, 0583, 0592, 0595.
32	710041	Screw (Connecting Rod)	58	66574	Rope-Starter (Cut To Required Length)			
33	715002	Valve-Exhaust	58A	711850	Rope-Starter (Cut To Required Length)	130	710290	Valve-Throttle
34	716145	Valve-Intake (Used After Code Date 03013000) ----- <b>Note</b> ----- 715003 Valve-Intake (Used Before Code Date 03013100)	60	490652	Grip-Starter Rope	133	715079	Float-Carburetor
35	710011	Spring-Valve (Intake)	60A	711852	Grip-Starter Rope	137	711857	Gasket-Float Bowl
36	710011	Spring-Valve (Exhaust)	65	710074	Screw (Rewind Starter)	142	710286	Nozzle-Carburetor (Standard) ----- <b>Note</b> ----- 710894 Nozzle-Carburetor (Standard)(Carburetor Identification Number G188AA)
38	710160	Screw (Shut Off Valve)(Fuel Shut Off Valve)	94	715293	Kit-Idle Mixture (Used Before Code Date 04092400)	147	710188	Jet-Pilot ----- <b>Note</b> ----- 710783 Jet-Pilot (High Altitude)
40	710012	Retainer-Valve	95	710722	Screw (Throttle Valve)			
42	715130	Keeper-Valve	97	715141	Shaft-Throttle	161	710521	Base-Air Cleaner (Metal)
45	710008	Tappet-Valve	98	715074	Kit-Idle Speed	180	715306	Tank-Fuel (Metal) ----- <b>Note</b> ----- 716234 Tank-Fuel Used on Type No(s). 0626, 0628.
46	715250	Camshaft	101	710616	Pin-Shaft			
46A	715045	Camshaft Used on Type No(s). 0101, 0135, 0189, 0192, 0197, 0501, 0504, 0535, 0582.	101A	710340	Pin-Shaft Used on Type No(s). 0101, 0135, 0189, 0192, 0197, 0501, 0504, 0535, 0582.	185	710068	Nut (Air Cleaner Base)
51	710060	Gasket-Intake	104	710195	Pin-Float Hinge			
53A	710148	Stud (Carburetor)	105	716099	Valve-Float Needle (Used After Code Date 04092300) ----- <b>Note</b> ----- 715075 Valve-Float Needle (Used Before Code Date 04092400)			
55	715132	Housing-Rewind Starter ----- <b>Note</b> ----- 711859 Housing- Rewind Starter Used on Type No(s). 0101, 0135, 0189, 0192, 0197, 0501, 0504, 0535, 0582.	108	710178	Valve-Choke			
			109	715140	Shaft-Choke			
			117	710649	Jet-Main (Standard)			
			118	710782	Jet-Main (High Altitude) ----- <b>Note</b> ----- 710895 Jet-Main (High Altitude)(Carburetor Identification Number G188AA)			

★ Included in Engine Gasket Set-Ref. No.358.

● Included in Carburetor Overhaul Kit-Ref. No. 121.

◆ Included in Carburetor Gasket Set-Ref. No. 977.

△ Included in Valve Gasket Set-Ref. No 1095.

**Illustrations cover a range of engines. Parts shown without corresponding text may not be used on your specific engine.**

# 117400

REF. NO.	PART NO.	DESCRIPTION	REF. NO.	PART NO.	DESCRIPTION	REF. NO.	PART NO.	DESCRIPTION
187	716126	Line-Fuel (8mm Inside Diameter)(Cut To Required Length)	221	710027	Cup-Governor	281	711866	Panel-Control (Used After Code Date 03063000)
187B	716246	Line-Fuel (6mm Inside Diameter)(Cut To Required Length)	222	715025	Bracket-Control ----- Note ----- 715747			Used on Type No(s). 0036, 0102, 0134, 0155, 0190, 0193, 0194, 0196, 0236, 0622, 0626.
187C	716122	Line-Fuel (4mm Inside Diameter)(Cut to Required Length)			715046			----- Note ----- 715313 Panel-Control (Used Before Code Date 03070100)
188	710057	Screw (Control Bracket)			Bracket-Control Used on Type No(s). 0101, 0135, 0238, 0281, 0501, 0504, 0535, 0582, 0583, 0592, 0595, 0604, 0612, 0613.			Used on Type No(s). 0198, 0235, 0236, 0238, 0247, 0260, 0502, 0505, 0550, 0551, 0553, 0555, 0583, 0586, 0594, 0597, 0603, 0605, 0606.
190	710023	Screw (Fuel Tank)			222A	715676	Bracket-Control Used on Type No(s). 0603.	
192	710015	Adjuster-Rocker Arm						
202	710052	Link-Mechanical Governor						
209	710725	Spring-Governor ----- Note ----- 710726 Spring- Governor Used on Type No(s). 0101, 0135, 0238, 0281, 0501, 0535, 0582. 710727 Spring- Governor Used on Type No(s). 0583, 0586, 0592, 0595, 0604, 0612, 0613, 0614, 0623. 710728 Spring- Governor Used on Type No(s). 0550, 0551, 0596, 0597, 0600, 0605. 711651 Spring- Governor Used on Type No(s). 0193.						
210	710065	Strainer-Fuel			225	710028	Shaft-Governor Gear	
213	710499	Bracket-Choke Control			227	710051	Lever-Governor Control	
213A	710500	Bracket-Choke Control Used on Type No(s). 0281.			231	710191	Screw (Choke Valve)	
219	715696	Gear-Governor			232	710053	Spring-Governor Link	
220	710545	Washer (Governor Gear)			235	710522	Shield-Fuel Spray	
					240	298090	Filter-Fuel	
					246	710070	Bowl-Fuel Filter	
					254	716110	Drain-Carburetor Bowl	
					255A	710179	Bushing-Choke Shaft	
					276	711319	Washer-Sealing	
					278	710058	Washer (Governor Control Lever)	
								281A
								711868
								Panel-Control (Used After Code Date 03063000) Used on Type No(s). 0281, 0604, 0608. ----- Note ----- 710092 Panel-Control (Used Before Code Date 03070100) Used on Type No(s). 0281, 0608.
								281B
								711867
								Panel-Control (Used After Code Date 03063000) Used on Type No(s). 0239, 0595, 0596, 0600, 0628. 715314 Panel-Control (Used Before Code Date 03070700) Used on Type No(s). 0239.
								281C
								710479
								Panel-Control
								296
								710099
								Stud (Muffler)
								298
								710090
								Locknut-Muffler/Elbow
								300A
								715602
								Muffler (Low Mount)
								303
								715604
								Elbow-Exhaust (Low Mount)

★ Included in Engine Gasket Set-Ref. No.358.

● Included in Carburetor Overhaul Kit-Ref. No. 121.

◆ Included in Carburetor Gasket Set-Ref. No. 977.

△ Included in Valve Gasket Set-Ref. No 1095.

**Illustrations cover a range of engines. Parts shown without corresponding text may not be used on your specific engine.**

REF. NO.	PART NO.	DESCRIPTION	REF. NO.	PART NO.	DESCRIPTION	REF. NO.	PART NO.	DESCRIPTION
304	715213	Housing-Blower ----- <b>Note</b> ----- <b>715212</b> Housing-Blower Used on Type No(s). 0101, 0135, 0189, 0192, 0197, 0501, 0504, 0535, 0582. <b>715703</b> Housing-Blower Used on Type No(s). 0242.	425	694515	Screw (Air Cleaner Cover)	578	710308	Wire Assembly (Oil Sensor)
			445	491588	Filter-Air Cleaner Cartridge	578A	710847	Wire Assembly (Starter Solenoid)
			455	710277	Cup-Flywheel ----- <b>Note</b> ----- <b>710366</b> Cup-Flywheel Used on Type No(s). 0101, 0135, 0189, 0192, 0197, 0501, 0504, 0535, 0582.	586	710090	Nut (Oil Sensor)
			456	710272	Plate-Pawl Friction	597	690876	Screw (Pawl Friction Plate)
305	710023	Screw (Blower Housing)	456A	711854	Plate-Pawl Friction	601	711998	Clamp-Hose
306	710063	Shield-Cylinder	459	715256	Pawl-Ratchet	601A	711549	Clamp-Hose
307	710023	Screw (Cylinder Shield)	459A	716897	Pawl-Ratchet	601B	711925	Clamp-Hose
309	715633	Motor-Starter	464	710069	Seal-O Ring (Fuel Shut-off Valve)	608	715133	Starter-Rewind
310	710838	Screw (Starter Motor)	474	715255	Alternator (4 Amp Circuit) Used on Type No(s). 0239, 0558, 0595, 0596, 0600, 0613, 0628.	608A	715128	Starter-Rewind Used on Type No(s). 0101, 0135, 0189, 0192, 0197, 0501, 0504, 0535, 0582.
315	710072	Seal-O Ring (Filter Bowl)			----- <b>Note</b> ----- <b>715194</b> Alternator (10 Amp Circuit) Used on Type No(s). 0242.	609	710828	Spring-Starter Drive
327	710841	Washer (Starter Sub Assembly)	475	715200	Rectifier	614	710056	Pin-Cotter
332	710048	Nut (Flywheel)	485	692295	Knob-Control	616	710050	Crank-Governor
332A	710345	Nut (Flywheel) Used on Type No(s). 0239, 0595, 0596, 0600, 0613, 0628.	486	712050	Fuse 5 Amp)	631	710004	Washer (Oil Drain Plug)
333	715023	Armature-Magneto	499	710853	Screw (Starter Sub Assembly)	633		Seal-Choke/Throttle Shaft (Sold In Kit Only)
334	710047	Screw (Magneto Armature)	501	691185	Regulator Used on Type No(s). 0242.	635	710634	Boot-Spark Plug
337	491055	Plug-Spark	505	710059	Nut (Governor Control Lever)	637		Washer (Sold In Kit Only)
346	690661	Screw (Spark Arrestor)	510	715634	Drive-Starter	652	710057	Screw (Support Bracket)
347	691995	Switch-Rocker	515	691528	Spring-Pawl	652A	710248	Screw (Support Bracket)
356	710120	Wire-Stop	521	710045	Shield-Cable	652B	710023	Screw (Support Bracket)
356A	710087	Wire-Stop	523	715588	Dipstick	663	710095	Screw (Control Panel)
358	715032	Gasket Set-Engine	526	710057	Screw (Regulator)	663A	710096	Screw (Control Panel)
367	710023	Screw (Wire Clip)	527	710100	Clamp-Tube	663B	710234	Screw (Control Panel)
372	710896	Coil-Lighting Used on Type No(s). 0155, 0555.	535	715511	Filter-Air Cleaner Foam	663C	710074	Screw (Control Panel)
380	710081	Nut (Electro Magnet)	535A	691315	Filter-Air Cleaner Foam	666	710066	Gauge-Fuel
382	710160	Screw (Fuel Filter)	555	710845	Screw (Starter Solenoid)	668	710159	Spacer
383	19374	Wrench-Spark Plug	576	710834	Seal-O Ring (Starter Sub Assembly)	668A	710443	Spacer
413	710081	Nut (Starter Motor)				676	715230	Deflector-Muffler
419	710475	Spring-Return				677	710307	Screw (Muffler Deflector)
421	710307	Screw (Outlet Screen)				683	710849	Nut (Starter Solenoid)
						685	710089	Screw (Rectifier)
						691	710055	Seal-Governor Shaft
						705	710068	Nut (Fuel Tank)

★ Included in Engine Gasket Set-Ref. No.358.

● Included in Carburetor Overhaul Kit-Ref. No. 121.

◆ Included in Carburetor Gasket Set-Ref. No. 977.

△ Included in Valve Gasket Set-Ref. No 1095.

**Illustrations cover a range of engines. Parts shown without corresponding text may not be used on your specific engine.**

# 117400

REF. NO.	PART NO.	DESCRIPTION	REF. NO.	PART NO.	DESCRIPTION	REF. NO.	PART NO.	DESCRIPTION
718	710005	Pin-Locating	890A	715136	Bracket-Support Used on Type No(s). 0281.	1043	692955	Magnet-Electro Used on Type No(s). 0281.
725	710102	Shield-Heat				1050	710007	Nut (Rocker Arm)
728	710023	Screw (Heat Shield)	890B	710441	Bracket-Support	1051	710039	Ring-Retaining
729	710083	Clip-Wire	892	715199	Switch-Key	1052	715353	Sensor-Oil
729A	710046	Clip-Wire	914	710023	Screw (Rocker Cover)	1053	710305	Module-Oil Gard
742	710477	Retainer-E Ring	920	710843	Solenoid-Starter	1057	710329	Screen-Outlet
752	710478	Screw (Link Retainer)	957	710490	Cap-Fuel Tank (Plastic)	1058	MS3824	Operator's Manual
773	710175	Retainer	958	716111	Valve-Fuel Shut Off (Plastic) (Used After Code Date 04072900)	1084	710386	Connector-Terminal Used on Type No(s). 0242.
773A	690875	Retainer				1091	710485	Cap-Limiter
773B	710830	Retainer	958A	715027	Valve-Fuel Shut Off (Plastic) (Used Before Code Date 04073000)	1095	716118	Gasket Set-Valve (Used After Code Date 03013000)
773C	711225	Retainer						----- <b>Note</b> -----
801	710836	Cap-Drive (Includes Brush Set)	967	491435	Filter-Pre Cleaner			<b>715704</b> Gasket
802	710832	Cap-End	968	692321	Cover-Air Cleaner			Set-Valve
830	710016	Stud-Rocker Arm	975	715050	Bowl-Float			(Used Before Code Date 03013100)
832	710333	Guard-Muffler (High Mount)	977	715081	Gasket Set-Carburetor	1119	710047	Screw (Alternator)
832A	710793	Guard-Muffler (Low Mount)(Front)	978	710091	Gasket-Oil Gard	1127	710197	Screw (Float Bowl)
832B	710794	Guard-Muffler (Low Mount)(Rear)	987	710185	Seal-Throttle Shaft	1184	710068	Nut (Support Bracket)
836	710074	Screw (Muffler Guard)	990	712052	Key Set	1213	710047	Screw (Lighting Coil)
842	710029	Seal-O Ring (Dipstick Tube)	994	715491	Arrestor-Spark	1319	794467	Label-Warning
868	711634	Seal-Valve (Used After Code Date 03013000)	1009	710348	Screw (Starter Motor)			
		----- <b>Note</b> -----	1012	710855	Retainer-Link			
		<b>710979</b> Seal-Valve (Used Before Code Date 03013100)	1019	715031	Kit-Label			
883	710082	Gasket-Exhaust	1022	710024	Gasket-Rocker Cover			
890	715319	Bracket-Support (Optional)	1023	715005	Cover-Rocker			
			1026	710013	Rod-Push			
			1029	710014	Arm-Rocker			
			1034	710017	Guide-Push Rod			
			1036		Label-Emissions (Available From A Briggs & Stratton Authorized Dealer)			

★ Included in Engine Gasket Set-Ref. No.358.

● Included in Carburetor Overhaul Kit-Ref. No. 121.

◆ Included in Carburetor Gasket Set-Ref. No. 977.

△ Included in Valve Gasket Set-Ref. No 1095.

**Illustrations cover a range of engines. Parts shown without corresponding text may not be used on your specific engine.**